



Digital Patterns

Designed by
Steve Good

www.scrollsawworkshop.blogspot.com

Home of Scroll Saw Pattern Printer
and the Scroll Saw Key Chain Printer



Note to commercial print employees: I give my permission to print as many of this pattern book as your customer requires.

Fretwork Basket

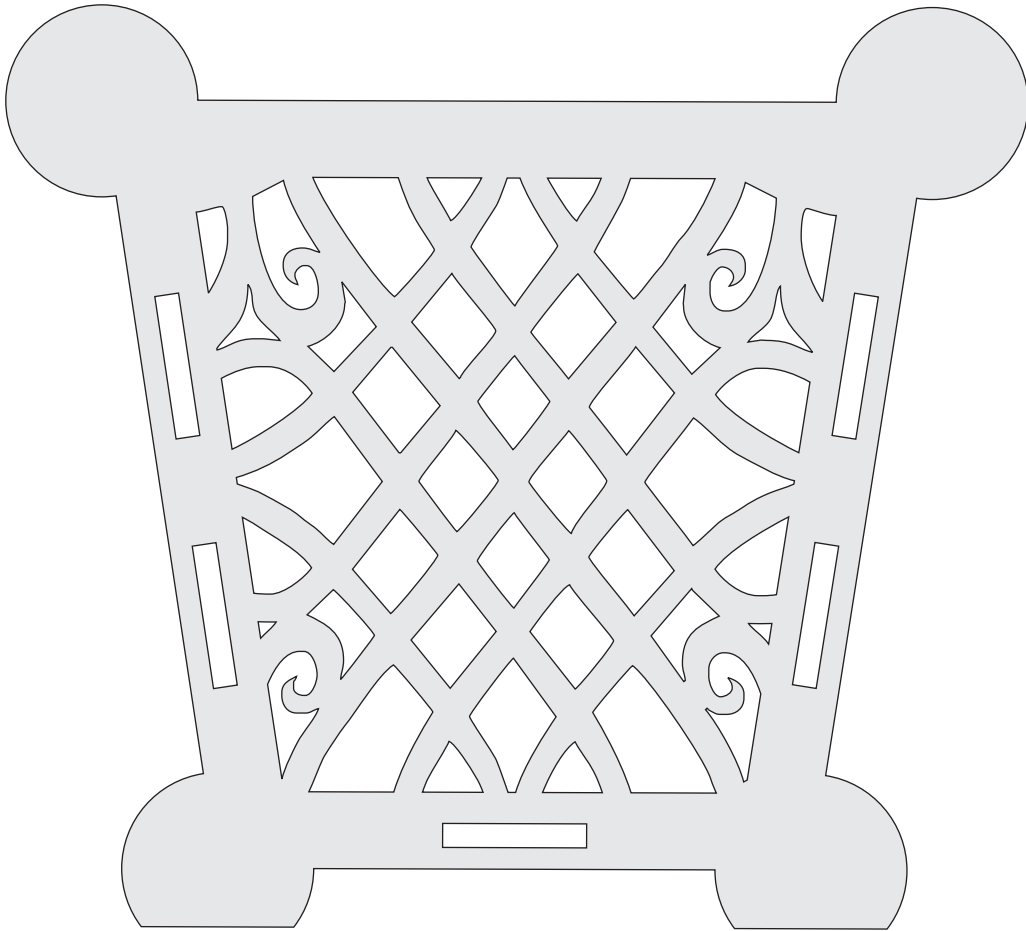
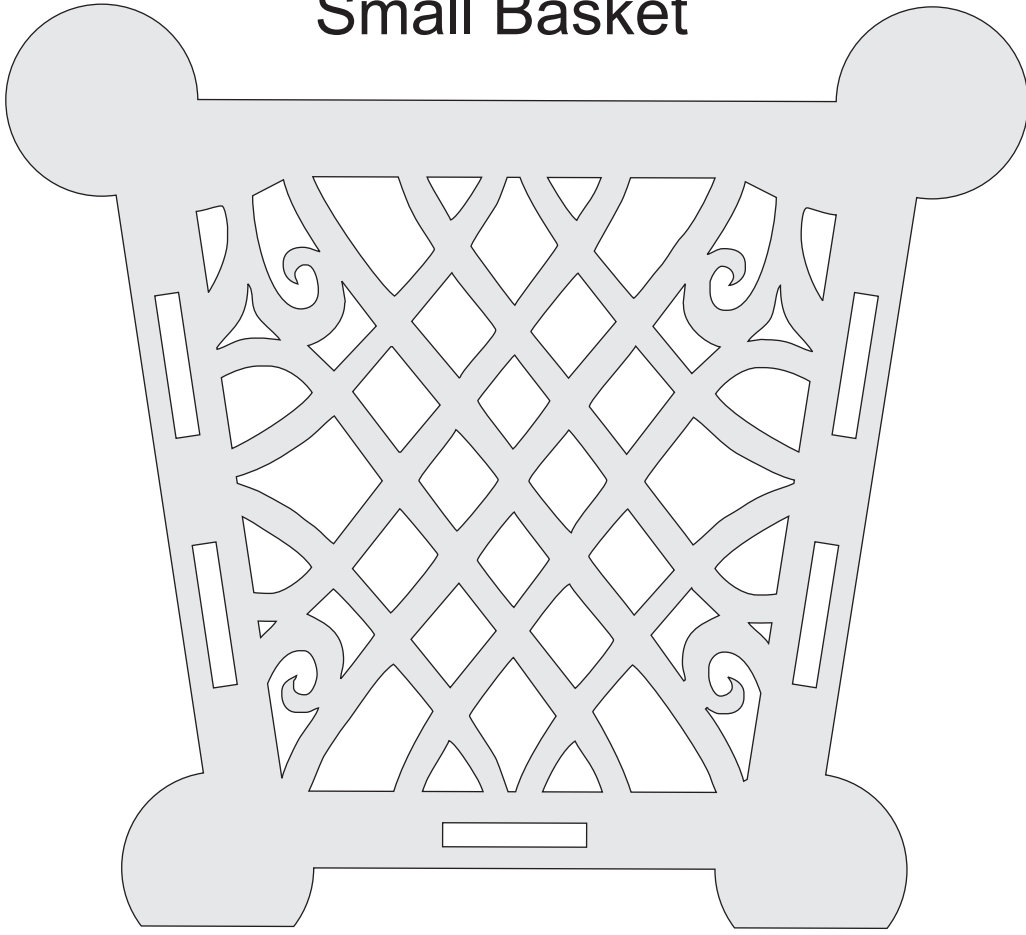


There are two versions in this pattern book
The small basket is cut from 1/8" thick stock.
The Large basket is made from 1/4" thick stock.

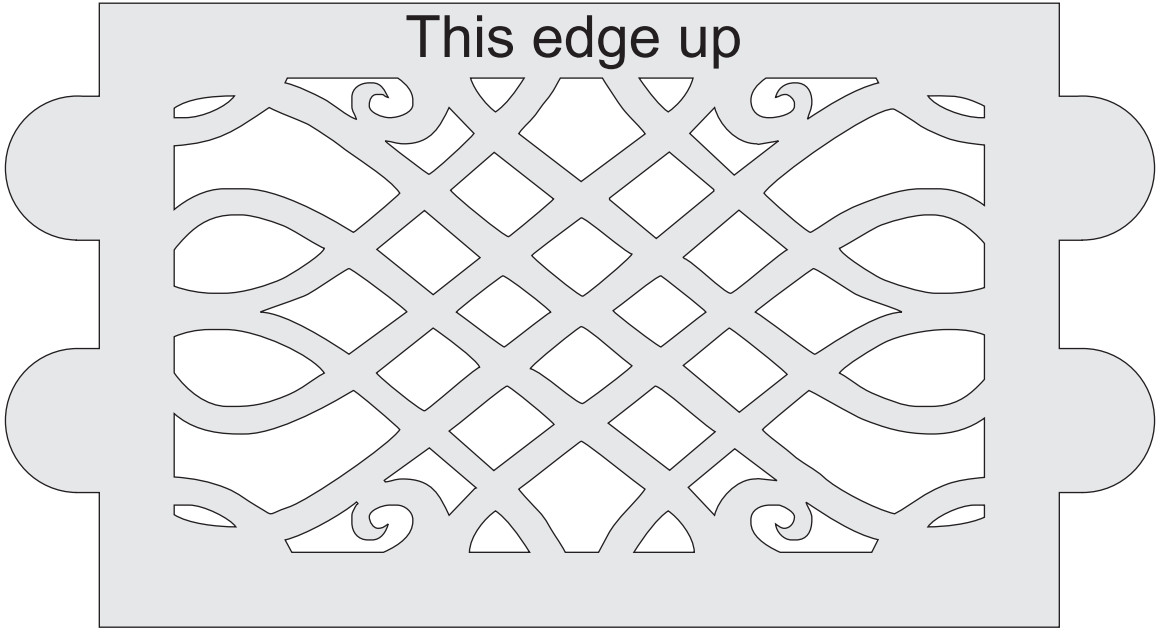
Small Basket

All part for the small basket are

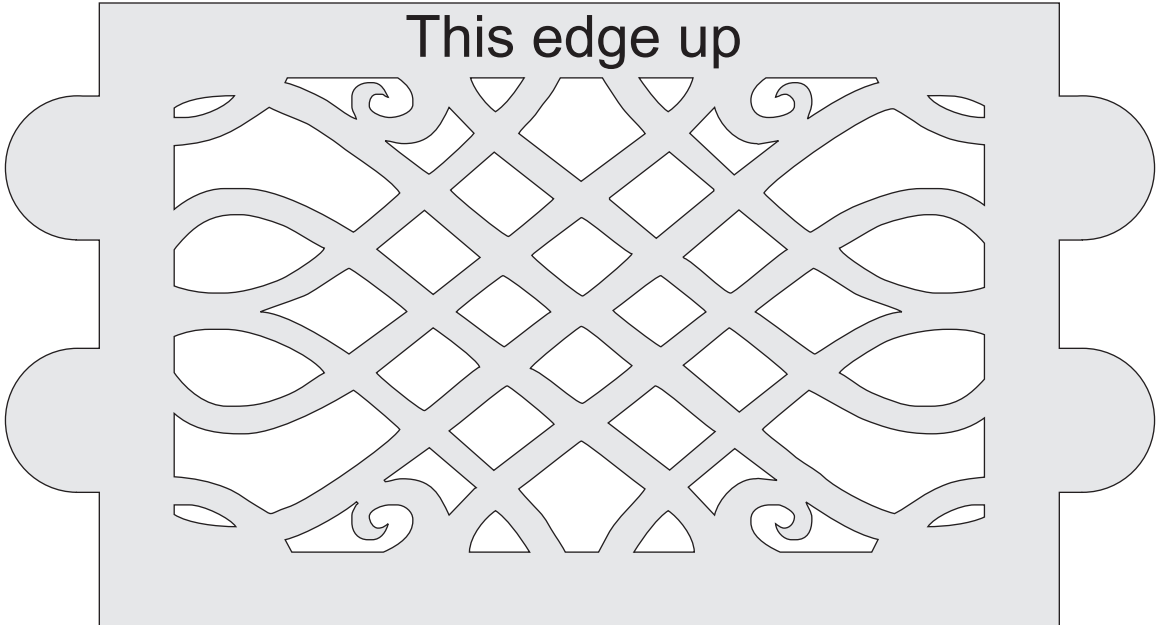
1/8" Thick



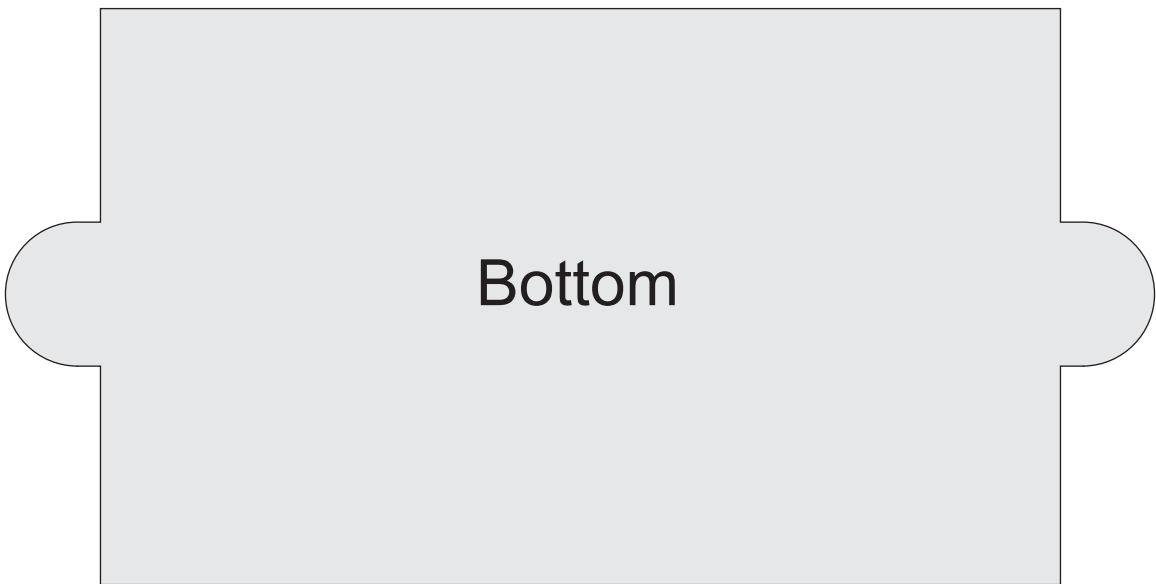
This edge up



This edge up

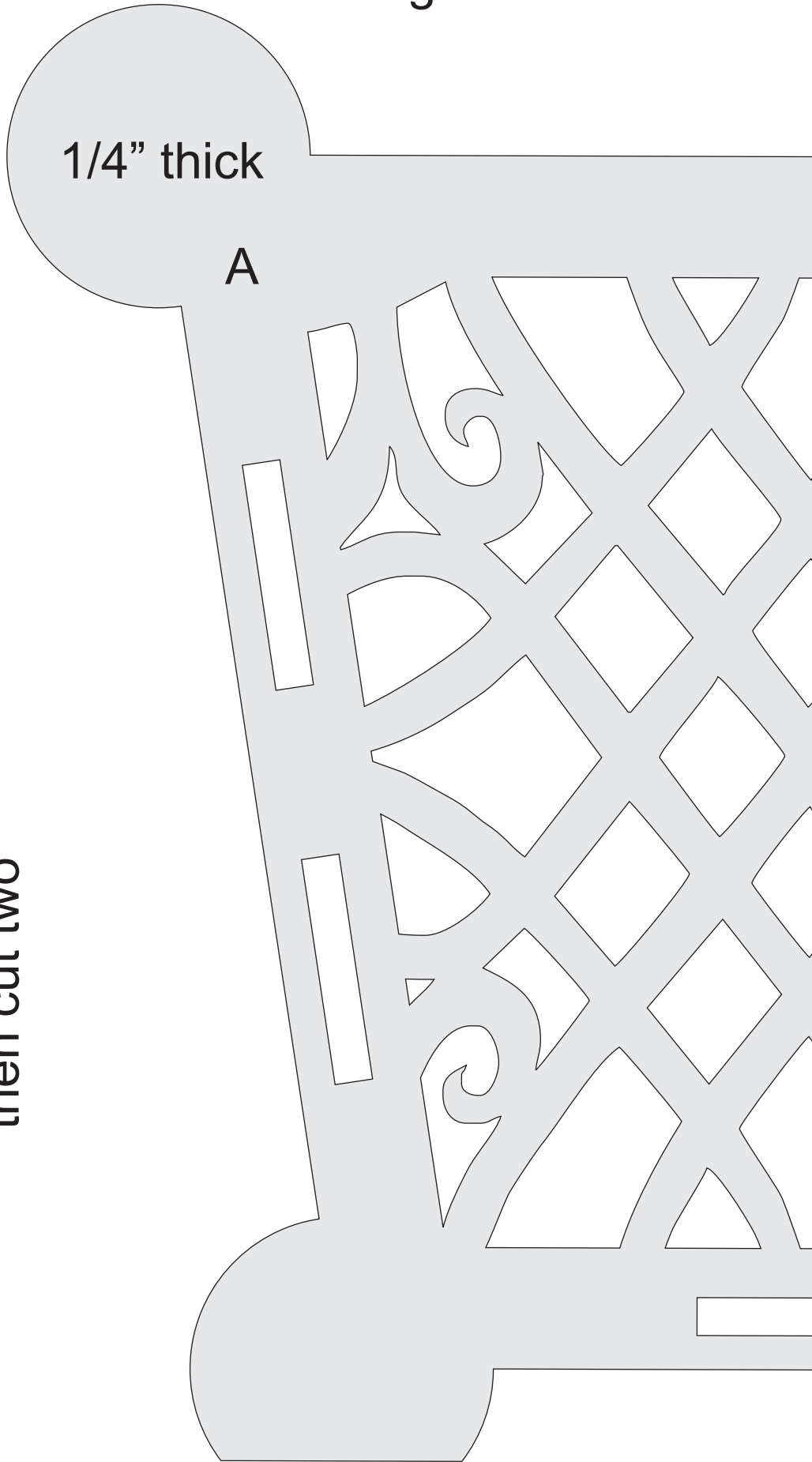


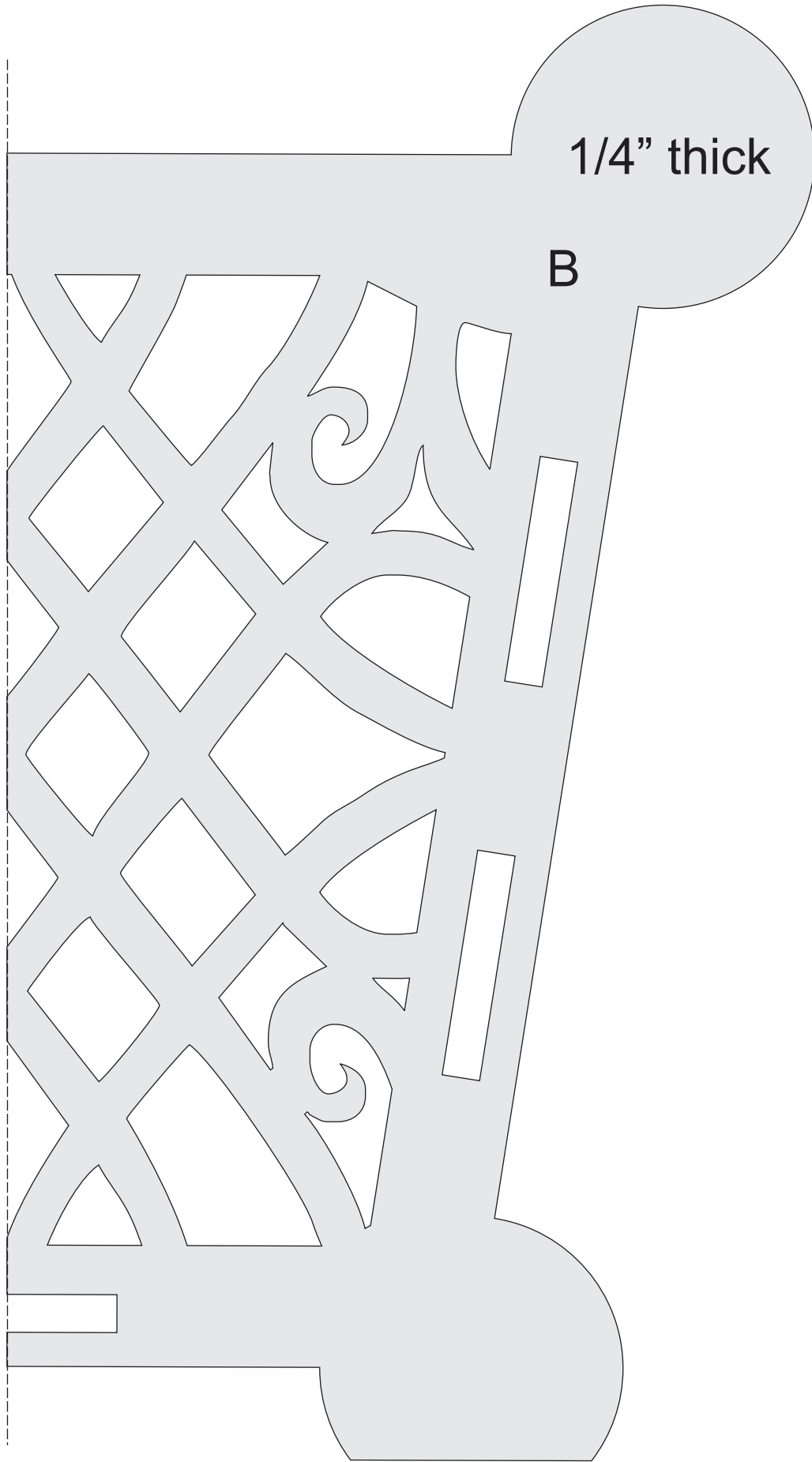
Bottom



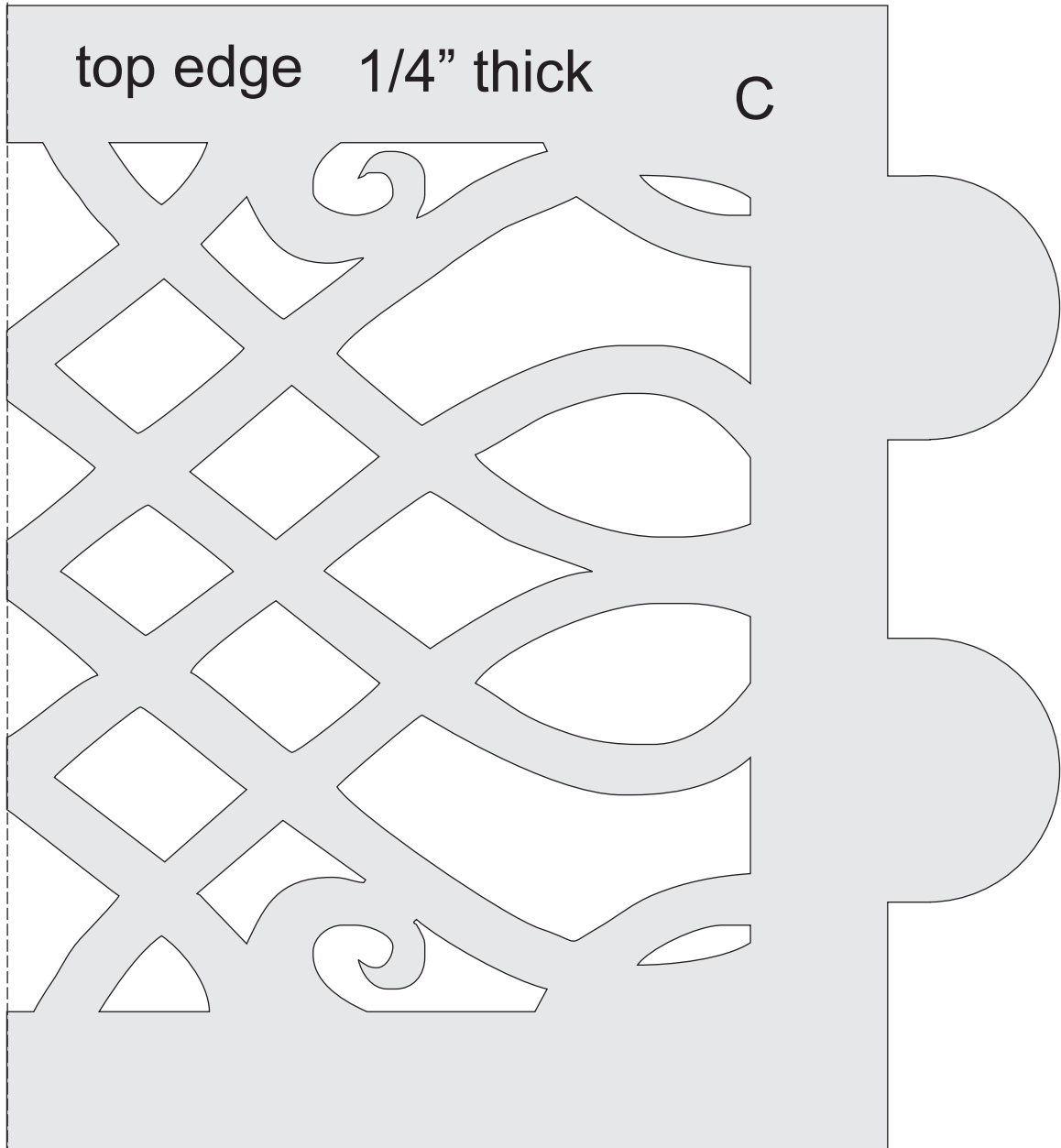
Large Basket.

Attach pattern part A to part B
then cut two





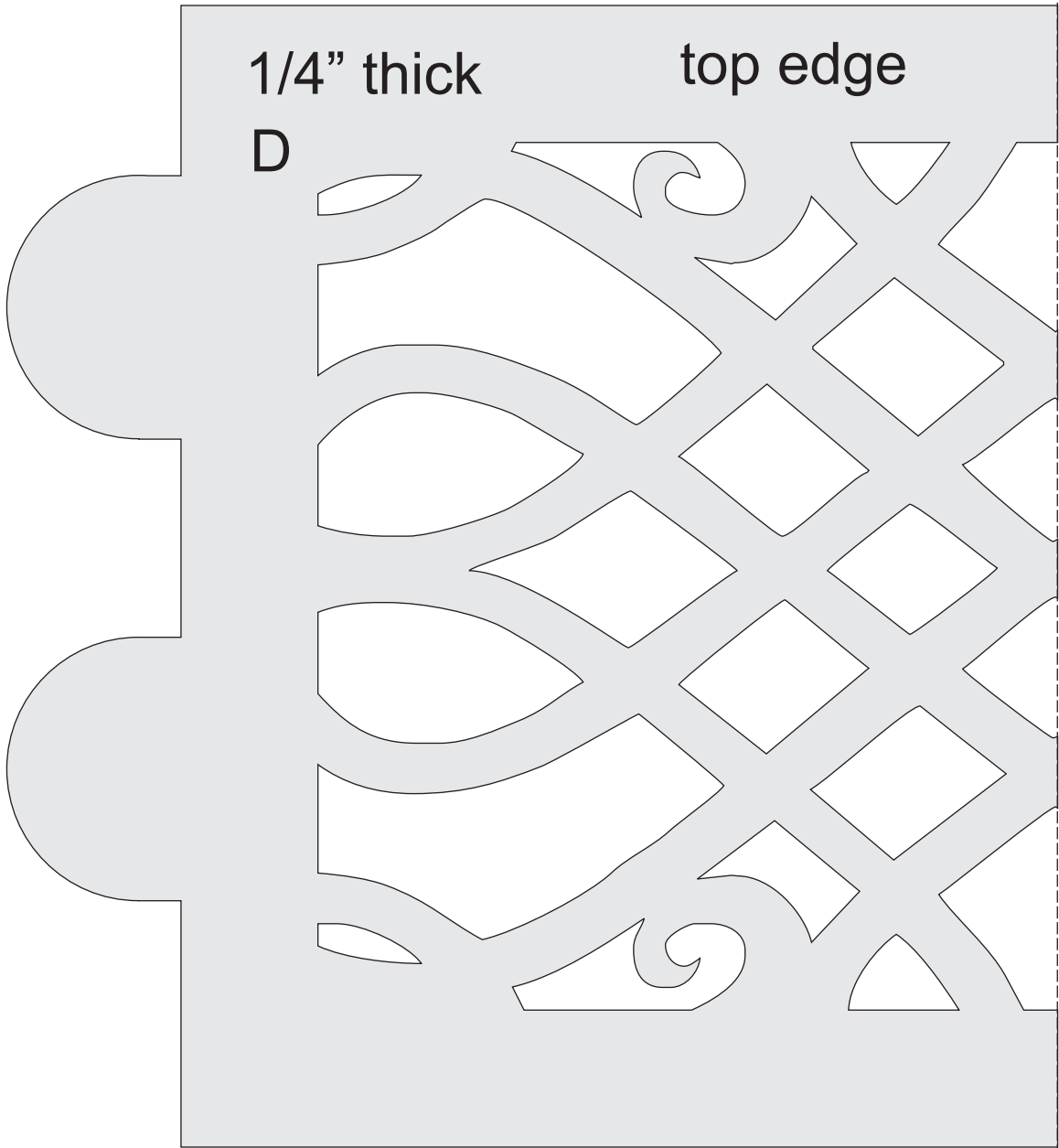
Attache Pattern part C to part D
and cut two.



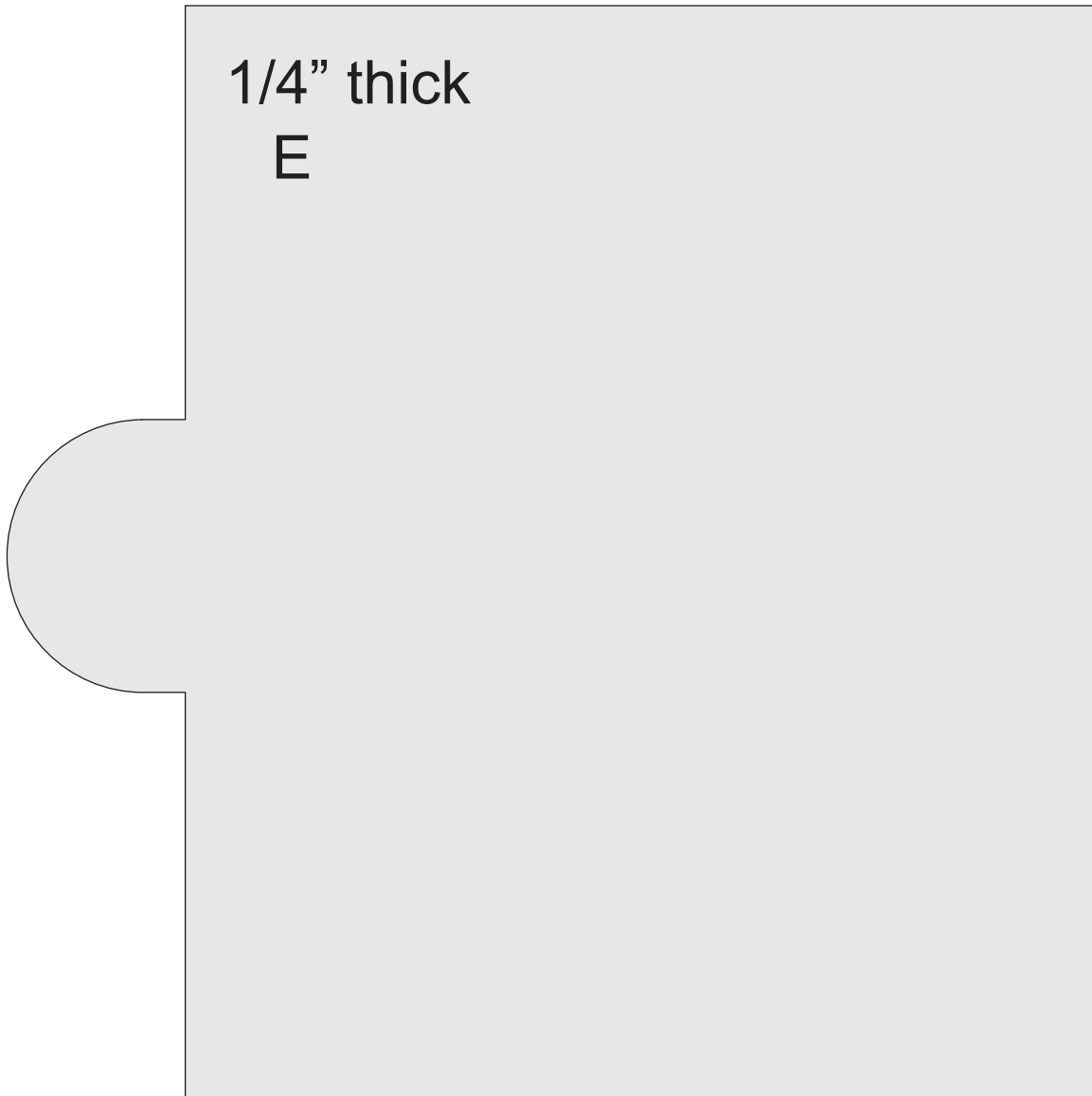
1/4" thick

top edge

D



Attache pattern part E to pad F
and cut one.



1/4" thick

F

